



# Breakthrough

## Modular Motion Group

### 1231 Breakthrough group

*Photo above shown in 657-74 leather.*

Breakthrough is a contemporary design that is about comfort and functionality. The layered pad design adds style and sink-in softness. The Breakthrough group is versatile and can be configured to fit any room with storage consoles, press-back chaises and gliding recliners. This group is available in two leathers.

Creating fine upholstered furniture for more than a century, Flexsteel offers comfort and durability, backed by a lifetime warranted blue steel seat spring. Warranties include the reclining mechanism for five years; seat cushions and frame for two years.

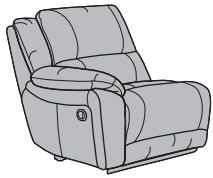


*Both shown in 657-70 leather.*

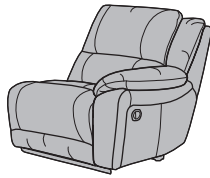
**LATITUDES**  
collection by Flexsteel

# Breakthrough

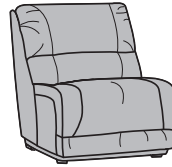
1231 group available in 657-70 or 657-74 leather.



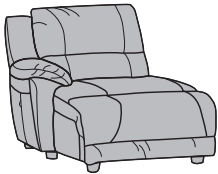
1231-57



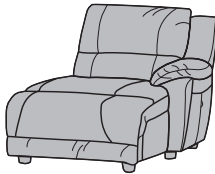
1231-58



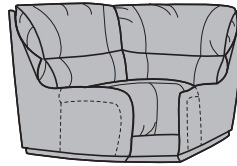
1231-59



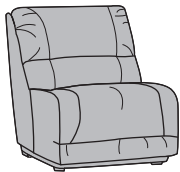
1231-25



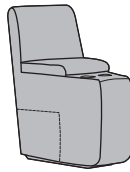
1231-26



1231-23



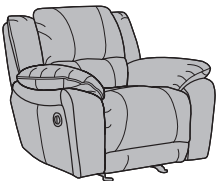
1231-19



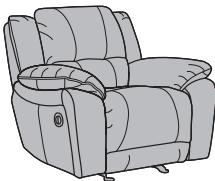
1231-70



1231-72



1231-54



1231-50

# Dimensions

## -57 Left Arm Recliner

40"h x 42"w x 42"d

## -58 Right Arm Recliner

40"h x 42"w x 42"d

## -59 Armless Recliner

40"h x 34"w x 42"d

## -25 Left Arm Press-back Chaise

40"h x 41"w x 71"d

## -26 Right Arm Press-back Chaise

40"h x 41"w x 71"d

## -23 Full Wedge

40"h x 66"w x 44"d

## -19 Armless Chair

40"h x 32"w x 42"d

## -70 Wedge Arm

35"h x 24"w x 39"d

## -72 Arm Console

40"h x 14"w x 42"d

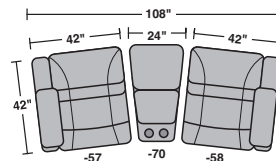
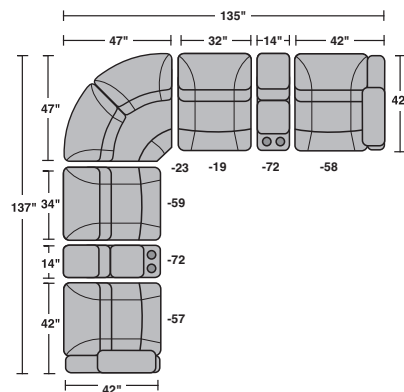
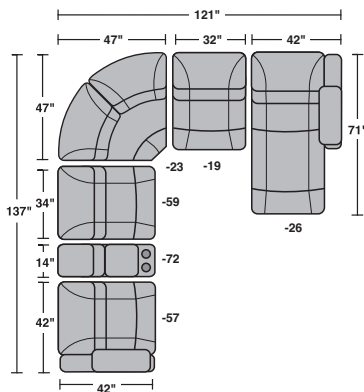
## -50 Wall Recliner

40"h x 47"w x 42"d

## -54 Glider Recliner

40"h x 43"w x 41"d

# 1231 Group Configurations



## Frame:

Two-Year Warranty

## Blue Steel Seat Spring:

Lifetime Warranted

## Seat Cushions:

Two-Year Warranty

## Reclining Mechanism:

Five-Year Warranty



© Flexsteel Industries, Inc.  
08/09 • FM10138